

GalvinAssist[®] 960 x 400 x 480 Folding Shower Seat

PRODUCT CODE:

– 105.70.09.01

SPECIFICATIONS

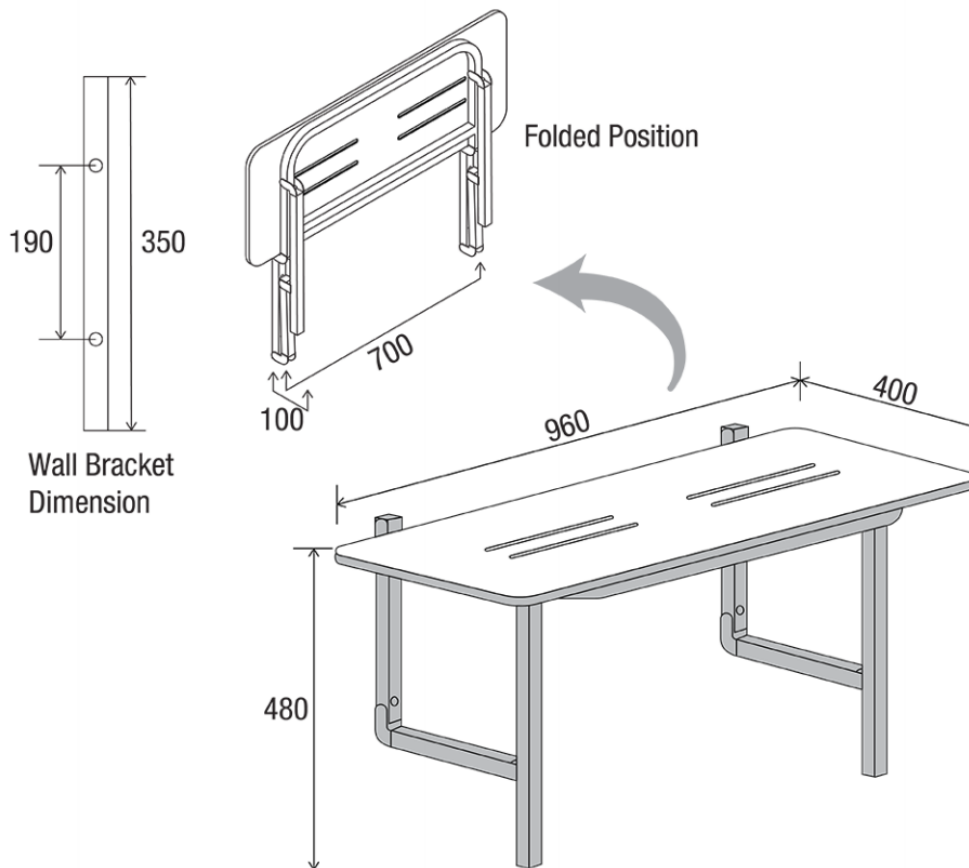
- The GalvinAssist[®] Folding Shower Seat complies with minimum design, strength and dimension requirements of AS 1428.1-2009.

TECHNICAL DATA

Features:	960 mm x 400 mm x 480 mm folding shower seat Maximum load 160 kg Slip resistant rounded edged seat deck with self-draining channels
Fixings:	Rails are supplied with stainless steel fixing screws
Finish:	Satin Stainless Steel Polar White UV stabilised HDPE rounded edge seat deck

NOTE: Galvin Specialised continually strive to improve their products. Specifications may change without notice.

DIMENSIONS

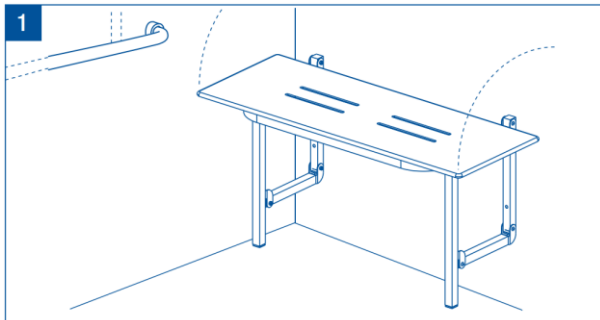


MOUNTING

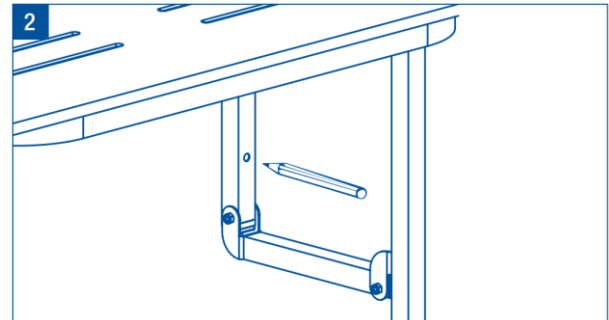
⚠ IMPORTANT: MUST BE FITTED TO A SOLID WALL OR OTHER FIRM SURFACE.

For fixing to timber, use only hexagon coach screws. For fixing to brickwork, block work or concrete, use the hexagon screws with 10mm wall plugs or equivalent.

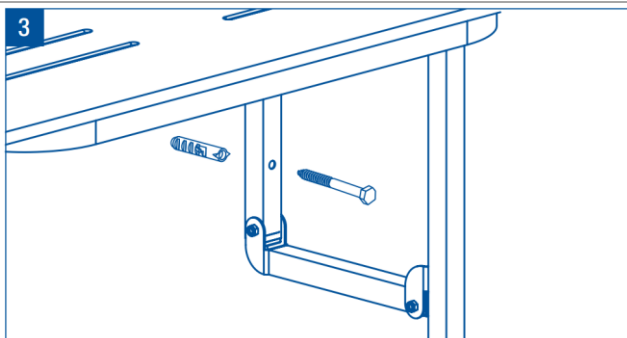
Grade 304 Stainless Steel M8 x 75mm hexagon coach screws and 10mm wall plugs supplied.



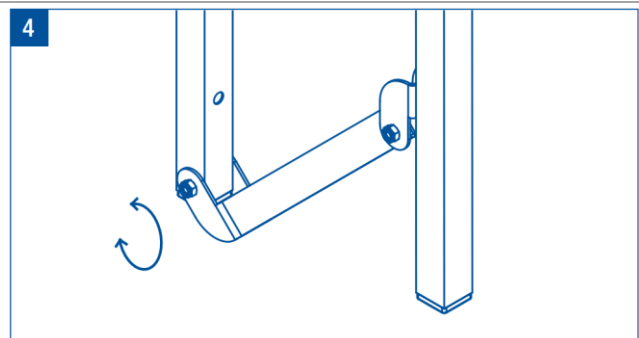
Accessible: Install as per AS 1428.1 Design for Access and Mobility. When in the horizontal position ensure seat does not present a hazard and the grab rail is accessible.



Positioning: In the horizontal position, level check and spot mark wall through seat frame mount holes.



Fixing: For timber drill with pilot drill, for concret drill spot marks with 10mm bit. Plug and screw seat to wall using the 304 Stainless Steel M8 x 75mm hexagon coach screws supplied.



Checking: Check seat is firmly secured to wall and Tension Grip Hinge screws are appropriate for ease of movement.

⚠ IMPORTANT: All measurements are subject to accepted manufacturing tolerances. To ensure accuracy please check actual product dimensions before drilling for installation. The manufacturer reserves the right to change specifications at any time without giving prior notification. This product should be installed by a qualified plumber. Local authority, and Building Regulations may apply to the installation of this product, and you should consult the appropriate bodies on these requirements.

WARRANTY

The warranty set forth herein is given expressly and is the only warranty given by the Galvin Engineering Pty Ltd. With respect to the product, Galvin Engineering Pty Ltd makes no other warranties, express or implied. Galvin Engineering Pty. Ltd. hereby specifically disclaims all other warranties, express or implied, including but not limited to the implied warranties of merchantability and fitness for a particular purpose.

Galvin Engineering Pty Ltd products are covered under our manufacturer's warranty available for download from www.galvinengineering.com.au Galvin Engineering Pty Ltd expressly warrants that the product is free from operational defects in workmanship and materials for the warranty period as shown on the schedule in the manufacturer's warranty. During the warranty period, Galvin Engineering will replace or repair any defective products manufactured by Galvin Engineering without charge, so long as the terms of the Manufacturer's warranty are complied with.

The remedy described in the first paragraph of this warranty shall constitute the sole and exclusive remedy for breach of warranty, and Galvin Engineering Pty Ltd shall not be responsible for any incidental, special or consequential damages, including without limitation, lost profits or the cost of repairing or replacing other property which is damaged if this product does not work properly, other costs resulting from labour charges, delays, vandalism, negligence, fouling caused by foreign material, damage from adverse water conditions, chemical, electrical or any other circumstances over which Galvin Engineering has no control. This warranty shall be invalidated by any abuse, misuse, misapplication, improper installation or improper maintenance or alteration of the product.

